



*Rely on it.*

## RENOLIT ALKORSOLAR

A bright idea for your solar investment

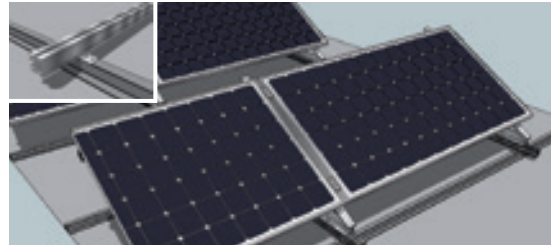


EXCELLENCE  
IN ROOFING



# The RENOLIT ALKORSOLAR system

The ultra light RENOLIT ALKORSOLAR fixing system makes it possible to attach solar panels onto the roof without the need of extra ballast or perforation of the roofing membrane. The development of the system has taken into account the abilities of PVC or EVA/EBA roofing membranes to have compatible elements welded directly to them. The method will allow a variety of different solar panels to be installed quickly and cost effectively.



## THE ADVANTAGES OF THE RENOLIT ALKORSOLAR SYSTEM

- Lightweight: depending on the choice of the solar panels and the aluminium construction, minimal extra weight.
- No penetration of the roofing membrane
- Crystalline solar panels or amorphous solar cells on continuous supports can be fastened directly onto the RENOLIT ALKORSOLAR system.
- The RENOLIT ALKORSOLAR system can be used on existing or new PVC or EVA/EBA roofing membranes\*.
- Fast, simple and safe installation.
- Maintenance and repair of solar panels made simple.

\* Please check with the technical department of RENOLIT to confirm if the existing roof satisfies the criteria for installing the RENOLIT ALKORSOLAR system.

## THE PARTS OF THE RENOLIT ALKORSOLAR SYSTEM

ALKORSOLAR Profile:  
**RENOLIT ALKORPLAN<sub>81600</sub>** (PVC-P)  
**RENOLIT ALKORTEC<sub>81590</sub>** (EVA/EBA)

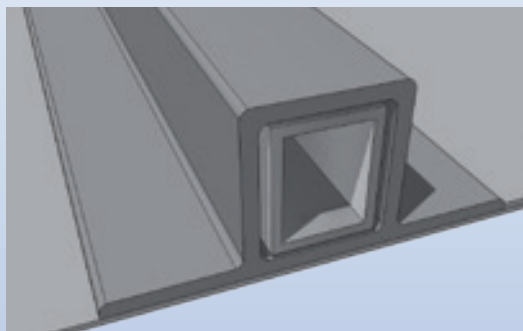
Length: 3 meter  
 Thickness: 3 mm  
 Base of the profile: 80 mm  
 Height: 33 mm

Aluminum insert:  
**RENOLIT ALKORPLUS<sub>81601</sub>**

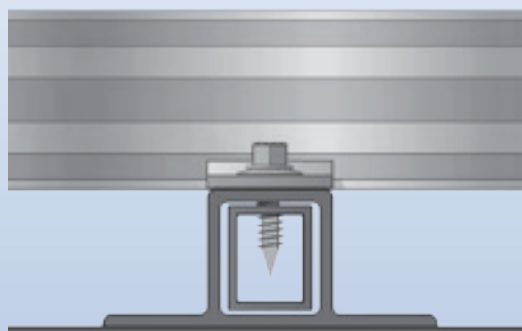
Length: 3 meter  
 Thickness: 2 mm  
 Height: 25 mm  
 Width: 20 mm  
 Aluminum quality:  
 EN6060 T6-AMgSi 0,5 F22

Self tapping screw with a seal ring:  
**RENOLIT ALKORPLUS<sub>81602</sub>**

Diameter: 6 mm  
 Length: 25 mm  
 Stainless steel: A2  
 SW8



To guarantee the soundness of the system only components bought at RENOLIT can be used in the RENOLIT ALKORSOLAR system.



As there is a positive link between the output of p-cells and the solar reflection of the roofing membrane laying underneath, RENOLIT advises the use of the white RENOLIT ALKORBRIGHT cool roof membrane.



RENOLIT Belgium N.V. - Export Dpt. - Industriepark De Bruwaan 43 - 9700 Oudenaarde - Belgium  
 T +32 (0)55 33 98 51 - F +32 (0)55 31 86 58 - renolit.belgium@renolit.com

RENOLIT India Private LTD. - 9, Vatika Business Centre, Vatika Atrium, III Floor, Block-B, Sector 53, Golf Course Road, Gurgaon 122002 INDIA  
 T +91-124-4311267 - F +91-124-4311100 - M +91-9910160982 - Alok.marwaha@renolit.com

RENOLIT India Private LTD. - Vijay Chandra, 201 Mamata Tower Lalchowky, Kalyan-West, District Thane, Maharashtra 421301  
 T +91-2513241620 - M +91-9167380008 - Mangesh.dhamele@renolit.com

[WWW.ALKORSOLAR.COM](http://WWW.ALKORSOLAR.COM)